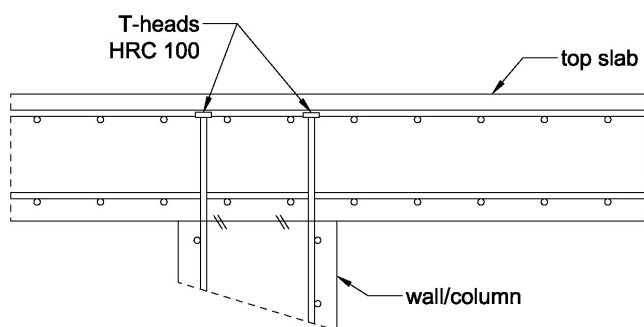


TECHNICAL INFORMATION

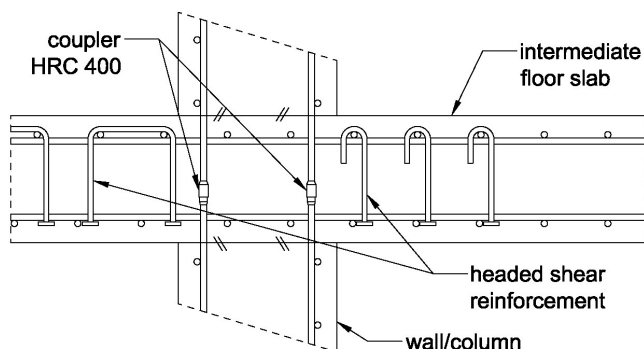
APPLICATION OF T-HEADED BARS AND COUPLERS

Usage in multi-storey buildings



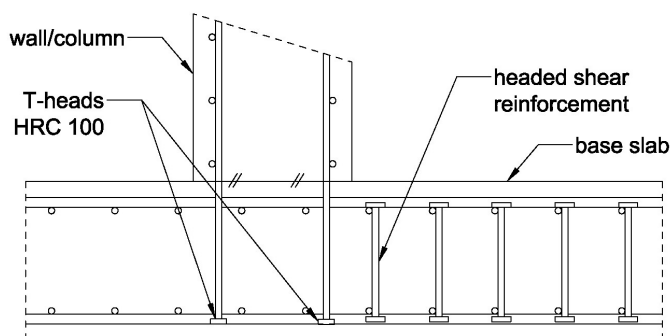
Top slab:

Anchorage of wall- or column reinforcement by T-heads avoids rebar protruding sideways, hampering the lift out of the wall-/column boarding and the placing of the formwork for the slab.



Intermediate floor slab:

Wall- or column reinforcement is spliced by HRC reinforcement couplers after placing of the rebar for the slab. The slab can be reinforced fast and efficient because there are no long protruding rebar.



Base slab:

The reinforcement for the base slab can be placed completely before starting with the reinforcement for walls or columns. Using T-headed bars makes it possible to place starter bars into the finished reinforcement of the slab. One has flexibility because the T-heads don't need a crossing bar for anchorage (anchorage by T-head alone).