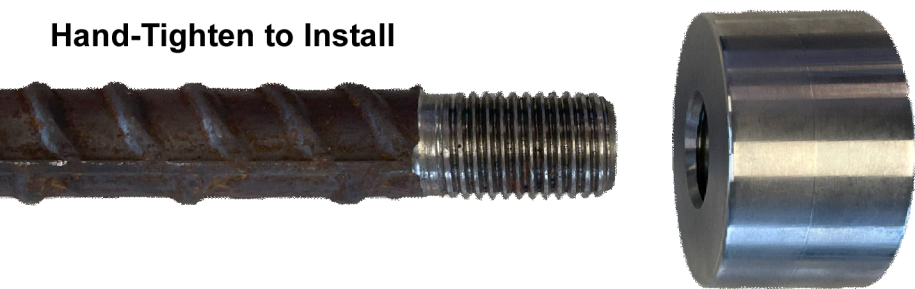




HRC 350 Series T-Head

Hand-Tighten to Install

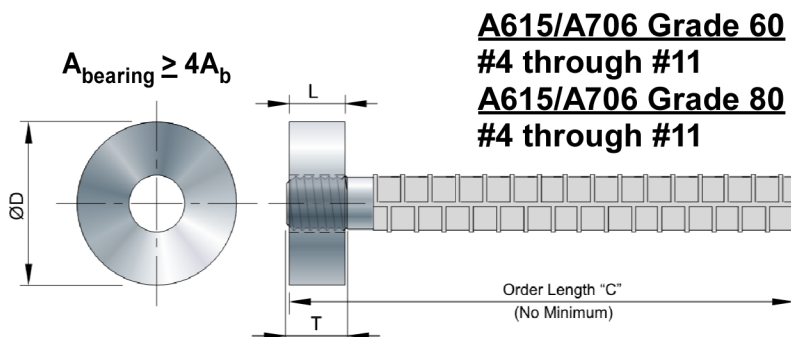


Substitute Standard Hooks

For structural, practical or economical reasons the **HRC 350 Series T-Head** is your problem solver. Simplify rebar details, and reduce congestion while improving concrete consolidation and lowering the in-place costs compared to conventional methods.

Building Code Compliant

According to ACI 318 the HRC 350 Series T-Heads have the shortest required development length compared to standard hooks or straight bars. The use of **Headed Reinforcement** improves the form, fit and functional performance of reinforced concrete structures. HRC 350 Series T-heads are compliant with ACI 318-19 section 25.4.4, ACI 318-14 section 25.4.4, ACI 318-11 section 12.6 and ASTM A970 Class HA requirements.



A615/A706 Grade 60
#4 through #11
A615/A706 Grade 80
#4 through #11

Dimensions of HRC 350 Series T-Head

Bar Size	Rebar Thread Information		HRC 350 Dimensions		
	Thread Size UNC	T (min) Inch	ØD (min) Inch	Thread Size UNC	L Inch
#4	1/2"-13 UNC	0.75	1.13	1/2"-13 UNC	0.75
#5	5/8"-11 UNC	0.75	1.50	5/8"-11 UNC	0.75
#6	3/4"-10 UNC	1.00	1.75	3/4"-10 UNC	1.00
#7	7/8"-9 UNC	1.00	2.00	7/8"-9 UNC	1.00
#8	1"-8 UNC	1.125	2.25	1"-8 UNC	1.125
#9	1-1/8"-7 UNC	1.50	2.63	1-1/8"-7 UNC	1.5
#10	1-1/4"-7 UNC	1.625	3.00	1-1/4"-7 UNC	1.625
#11	M36 x 4	1.625	3.25	M36 x 4	1.625

Hand-tighten to a snug fit.

9A_b heads are available. Contact HRC for more information.

Contact HRC for information on availability for Canadian bar sizes.



Headed Reinforcement Corp.
11200 Condor Ave. Fountain Valley, CA 9270

Rev. 25-0307

Development and Anchorage of Reinforcing Bars for Concrete and Masonry



**Meets ASTM A970
Class HA and
Class A Requirements**

**Approvals:
IAPMO UES ER-177**

**City of Los Angeles Building
Code (LABC) Compliant**

For installation parameters and
current approval please visit
www.hrc-usa.com or contact an
HRC representative.

**HRC Performance
Local Quality Fabrication**



Made in the USA

sales@hrc-usa.com
(714) 557-1455
www.hrc-usa.com

