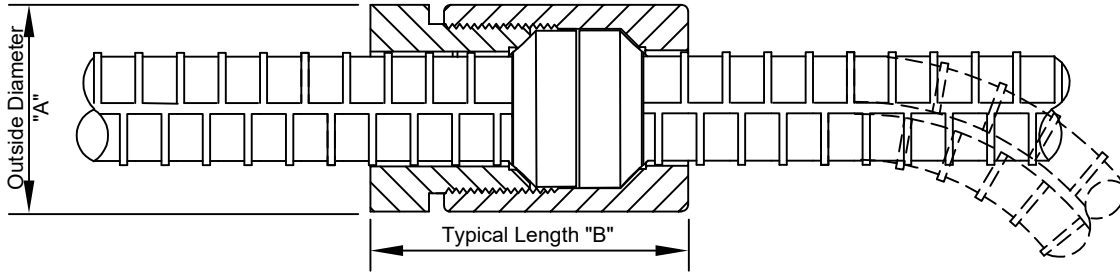


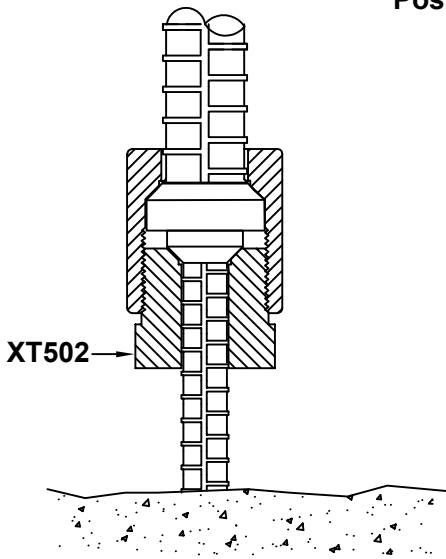
XTENDER HRC 500/510 Position Couplers

HRC 500

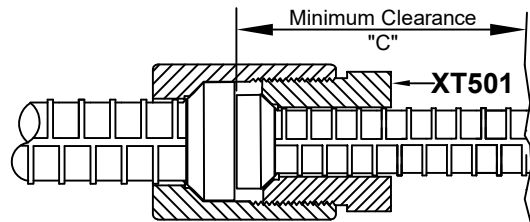
HRC 510



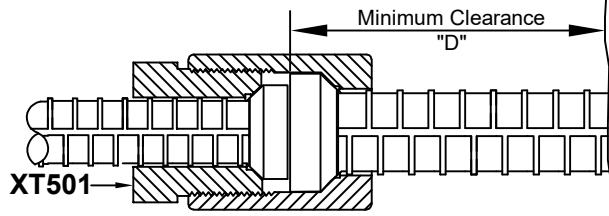
Position / Transition Coupler *



Transition between 2 bar sizes *



Transition to larger bar (1 size up)



Transition to smaller bar (1 size down)

500/510	#4	#13	#5	#16	#6	#19	#7	#22	#8	#25	#9	#29	#10	#32	#11	#36	#14	#43
Dimensions (approx.)	in.	mm	in.	mm	in.	mm	in.	mm	in.	mm	in.	mm	in.	mm	in.	mm	in.	mm
A. Coupler OD	1 3/8	35	1 1/2	38	1 5/8	41	1 7/8	48	2 1/8	54	2 3/8	60	2 5/8	67	2 7/8	73	3 1/2	89
B. Coupler length	2	51	2 1/8	54	2 3/8	60	2 7/8	73	3 1/8	79	3 1/2	89	3 3/4	95	4 1/4	108	5 1/8	130
C. Male Clearance	5 1/4	133	5 1/4	133	5 1/4	133	5 3/4	146	6 1/4	159	8	203	8 1/4	210	8 1/2	216	10	254
D. F/M Clearance	6	153	6 1/4	157	6 3/8	161	7 1/8	180	7 7/8	199	9 3/4	248	10 3/8	262	10 3/4	273	12 7/8	326

* Transition Male Couplers up to five (5) sizes down are also available

28/OCTOBER/2022

All data subject to change without notice.



HEADED REINFORCEMENT CORP.

11200 Condor Avenue • Fountain Valley, CA 92708

Tel: (714) 557-1455 • Fax: (714) 557-4460

:R/DRAWINGS 01/HRC STANDARDS/XTENDER 500 - REV 22-10281