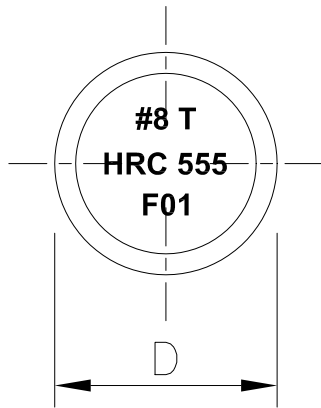
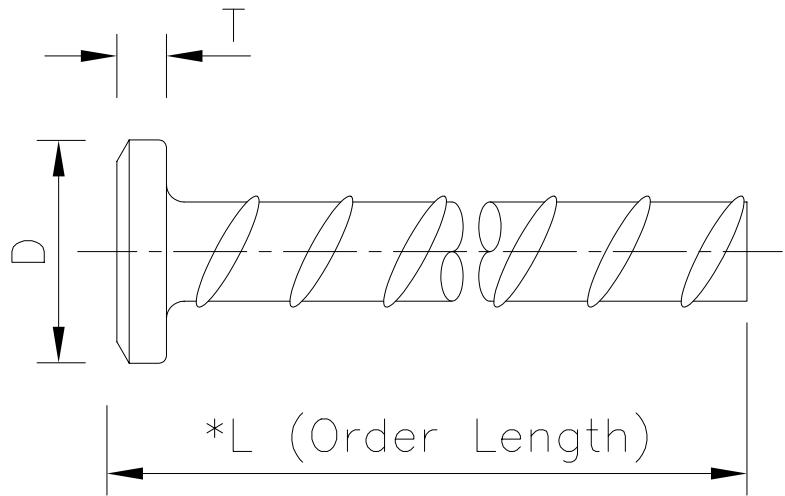


XTENDER HRC 555 Headed Rebar

TYPE 555



END VIEW



ELEVATION

*L = ORDERING LENGTH is available from 8" to 80'.
All data subject to change without prior notice.

Heads are fabricated on one or both ends of reinforcing bar.

Made according to ASTM A970.

NOM. PROPERTIES			A706/A615-60 (lbs)		A706/A615-80 (lbs)		HEAD DIMENSION (in)	
Bar NO.	Dia. inch	Areq. inch ²	MIN YELD STRENGTH	MIN TENSILE STRENGTH	MIN YELD STRENGTH	MIN TENSILE STRENGTH	D (dia)	T (min.thk.)
#4	0.500	0.20	12,000	18,000	16,000	21,000	1.14	0.25
#5	0.625	0.31	18,600	27,900	24,800	32,550	1.42	0.31
#6	0.750	0.44	26,400	39,600	35,200	46,200	1.69	0.38
#7	0.875	0.60	36,000	54,000	48,000	63,000	1.97	0.44
#8	1.00	0.79	47,400	71,100	63,200	82,950	2.25	0.50
#9	1.128	1.00	60,000	90,000	80,000	105,000	2.56	0.56
#10	1.270	1.27	76,200	114,300	101,600	133,350	2.87	0.64
#11	1.410	1.56	93,600	140,400	124,800	163,800	3.19	0.70
#14	1.693	2.25	135,000	202,500	180,000	236,250	3.82	1.02

:R/DRAWINGS 01/HRC STANDARDS/HRC 555.DWG 08/09/19



HEADED REINFORCEMENT CORP.
11200 Condor Avenue • Fountain Valley, CA 92708
Tel: (714) 557-1455 • Fax: (714) 557-4460