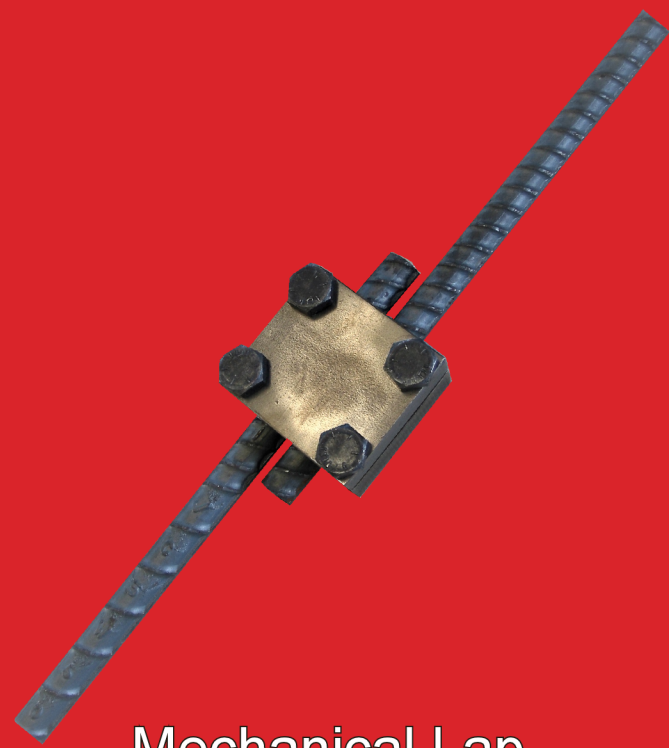
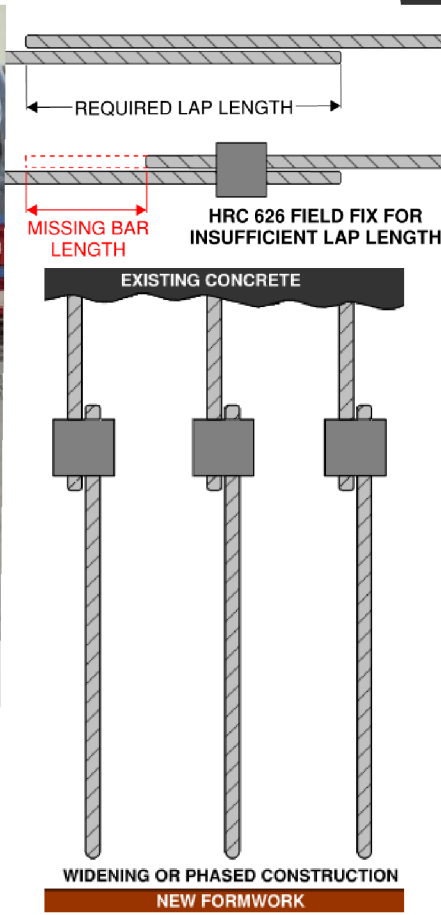
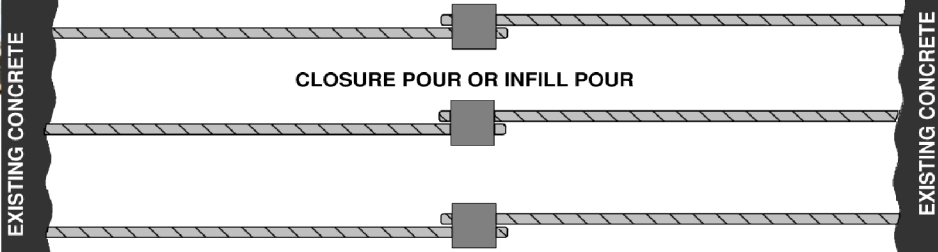


# HRC<sup>®</sup> HRC 626 Series Mechanical Lap Splice



## Mechanical Lap Splicing of Reinforcing Bars



### Applications:

- Repairs (infill)
- Fixes (insufficient lap length)
- Retrofit (strengthening)
- DOT Widening Projects
- Closure Pours
- Architectural Flared Columns
- Masonry Walls

HRC Performance  
Local Quality Fabrication



Made in the USA

(800) HRC-6775  
(714) 557-1455  
[www.hrc-usa.com](http://www.hrc-usa.com)

Headed Reinforcement Corp.

# HRC 626 Series Mechanical Lap Splice

## Advantages

- **Lap Splice Replacement**

When tension lap splice lengths are insufficient, undesirable or not achievable, and butt splicing is not required.

- **Easy To Use**

Only a torque wrench is required for installation.

- **Field Friendly**

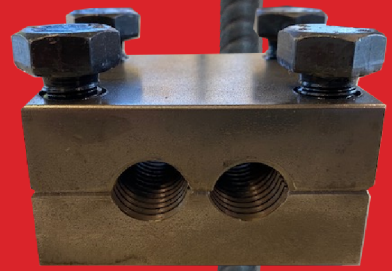
Allows for length tolerances and field adjustments.

- **Reliable**

HRC 626 couplers are designed to transfer full rebar capacity between two reinforcing bars in tension only applications with very short lap lengths when butt splicing is not required.

- **Versatile**

HRC 626 couplers can be used for a wide range of applications including: repair, retrofit, closure pours with CIP or pre-cast elements, and concrete masonry walls.



**Meets Codes  
and Standards for  
Mechanical Splices:**

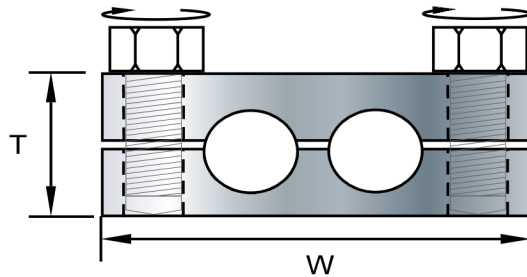
ACI 318 Type 1 (125%  $f_y$ )  
and Type 2  
in Tension ONLY for  
ASTM A706/A615  
Grade 60

**Caltrans Authorized Service  
Splice for ASTM A706  
Grade 60**



**\*Patent Pending\***

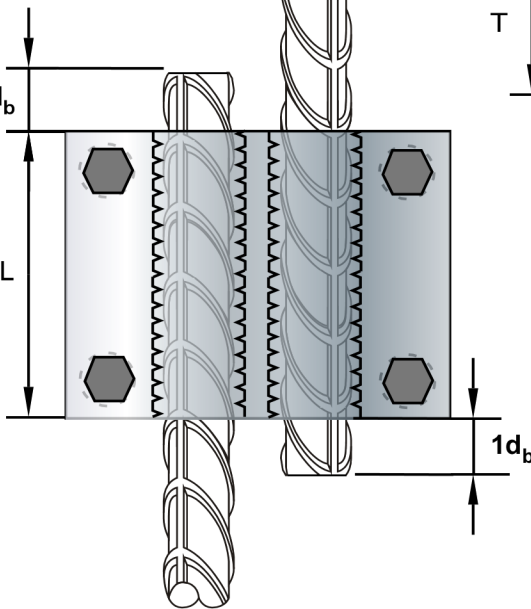
For installation parameters please visit [www.hrc-usa.com](http://www.hrc-usa.com) or contact an HRC representative.



DIMENSIONS OF HRC 626 COUPLERS

Bar Size	L [in]	W [in]	T [in]	# of Bolts
#4	2.50	2.79	1.46	4
#5	2.50	2.79	1.46	4
#6	3.50	3.05	1.68	6

Dimensions shown are approximate.  
All data subject to change without notice.



Rev. 08/2021



**Headed Reinforcement Corp.**  
11200 Condor Ave. Fountain Valley, CA 92708  
714-557-1455 714-557-4460 fax

