

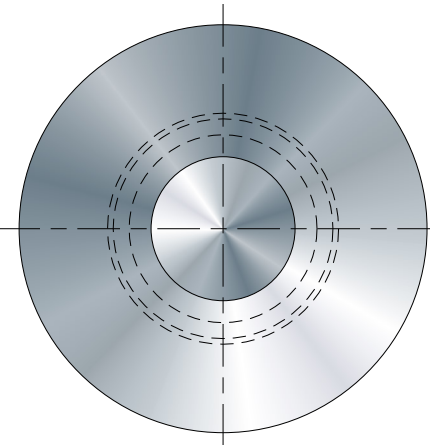
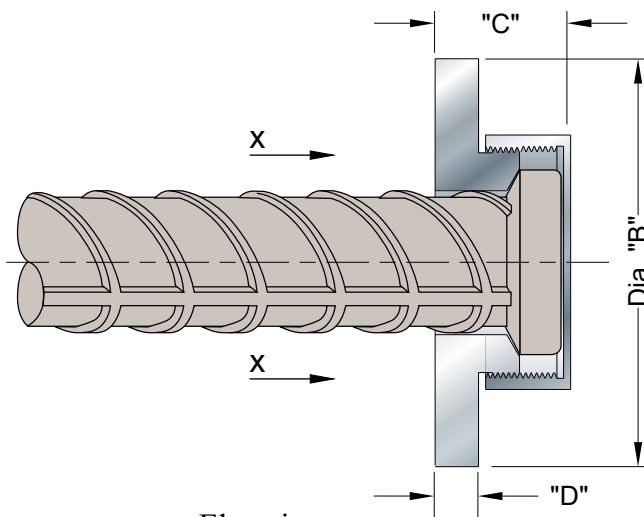
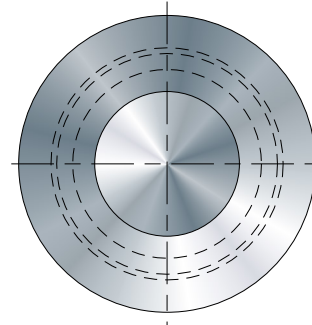
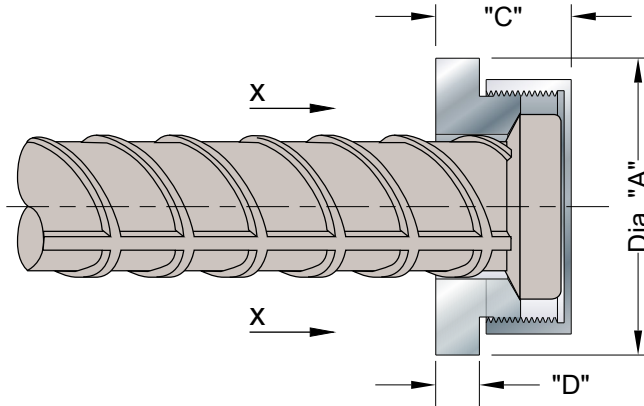
#18 HRC 551 Series Anchor Heads



#18 HRC 551H
4Ab Bearing Area



#18 HRC 551L
9Ab Bearing Area



Elevation

View X-X

| #18 Rebar | A615/A706-60 | A615/A706-80 | Dimensions | in | mm |
|---|--------------|--------------|------------------------------|-------|-----|
| Min Yield [lbs] | 240,000 | 320,000 | A. HRC 551H O.D. | 5 1/4 | 133 |
| Min Tensile [lbs] | 320,000 | 400,000 | B. HRC 551L O.D. | 7 1/4 | 184 |
| Torque: Hand tighten to snug fit | | | C. Assembled Thickness (typ) | 2.17* | 55* |
| Lubricate threads and use pipe wrench if necessary. | | | D. Thickness (min) | 0.79 | 20 |

* Tolerance ±4mm

All data subject to change without notice.

Rev. 20-0129



HEADED REINFORCEMENT CORP.

11200 Condor Avenue • Fountain Valley, CA. 92708, USA

Tel: 714-557-1455 • FAX: 714-557-4460 • www.HRC-USA.com