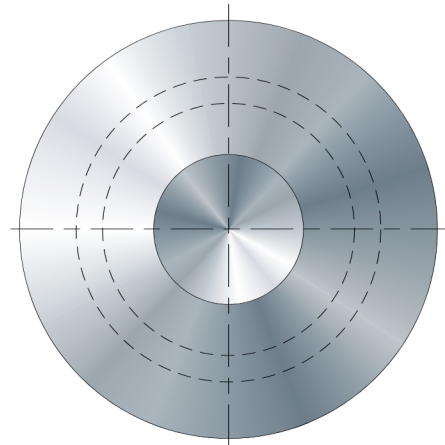
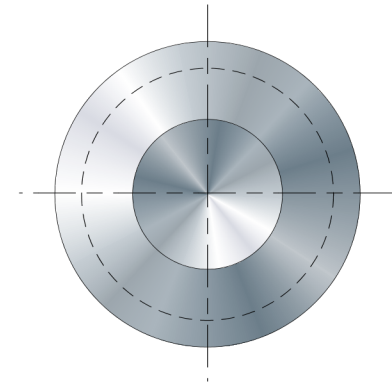
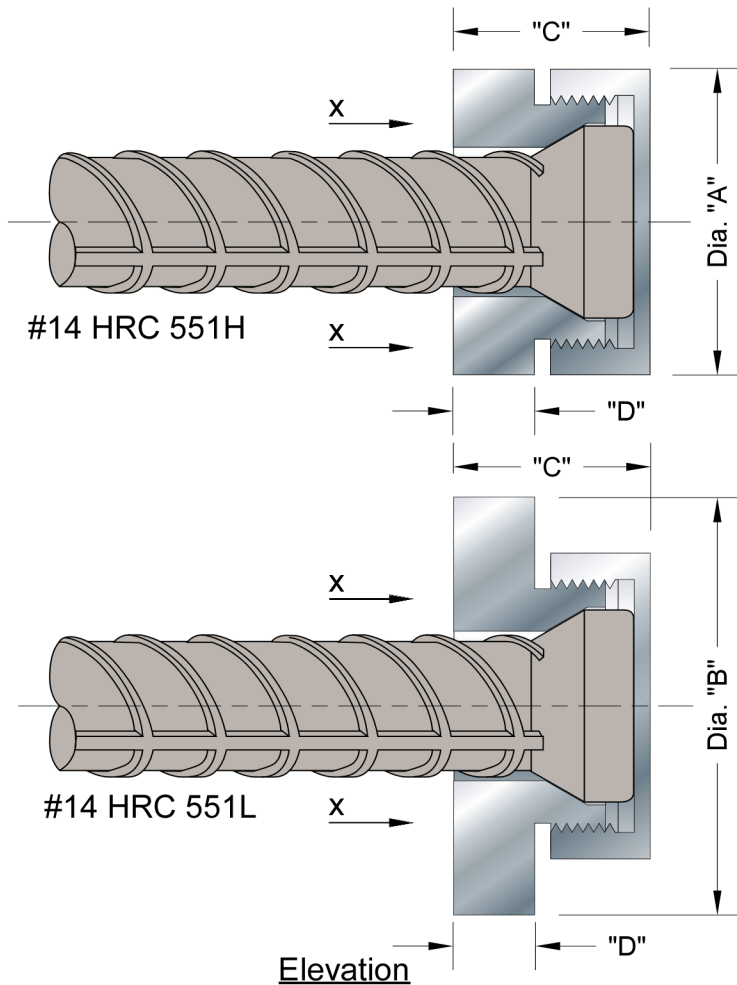
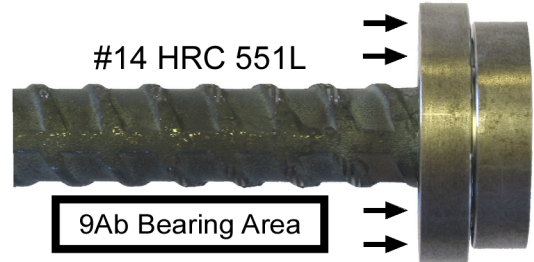
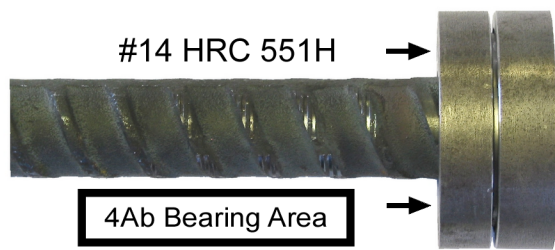


# #14 HRC 551 Series Anchor Heads



View X-X

#14 Dimensions	inch
A. HRC 551H (4Ab) O.D.	4.00
B. HRC 551L (9Ab) O.D.	5.50
C. Assembled Thickness (typ)	2.125*
D. Thickness (min)	0.98

\* Tolerance +/- 0.16" (4mm)

HRC 551 Series Anchor Heads develop the minimum tensile strength of the rebar for A706/A615 Grades 60 and 80.

Hand-tighten to a snug fit. Lubricate threads and use pipe wrench if necessary.

All data subject to change without notice.

Rev. 25-0724



HEADED REINFORCEMENT CORP.

11200 Condor Avenue • Fountain Valley, CA. 92708, USA

Tel: 714-557-1455 • FAX: 714-557-4460 • www.HRC-USA.com