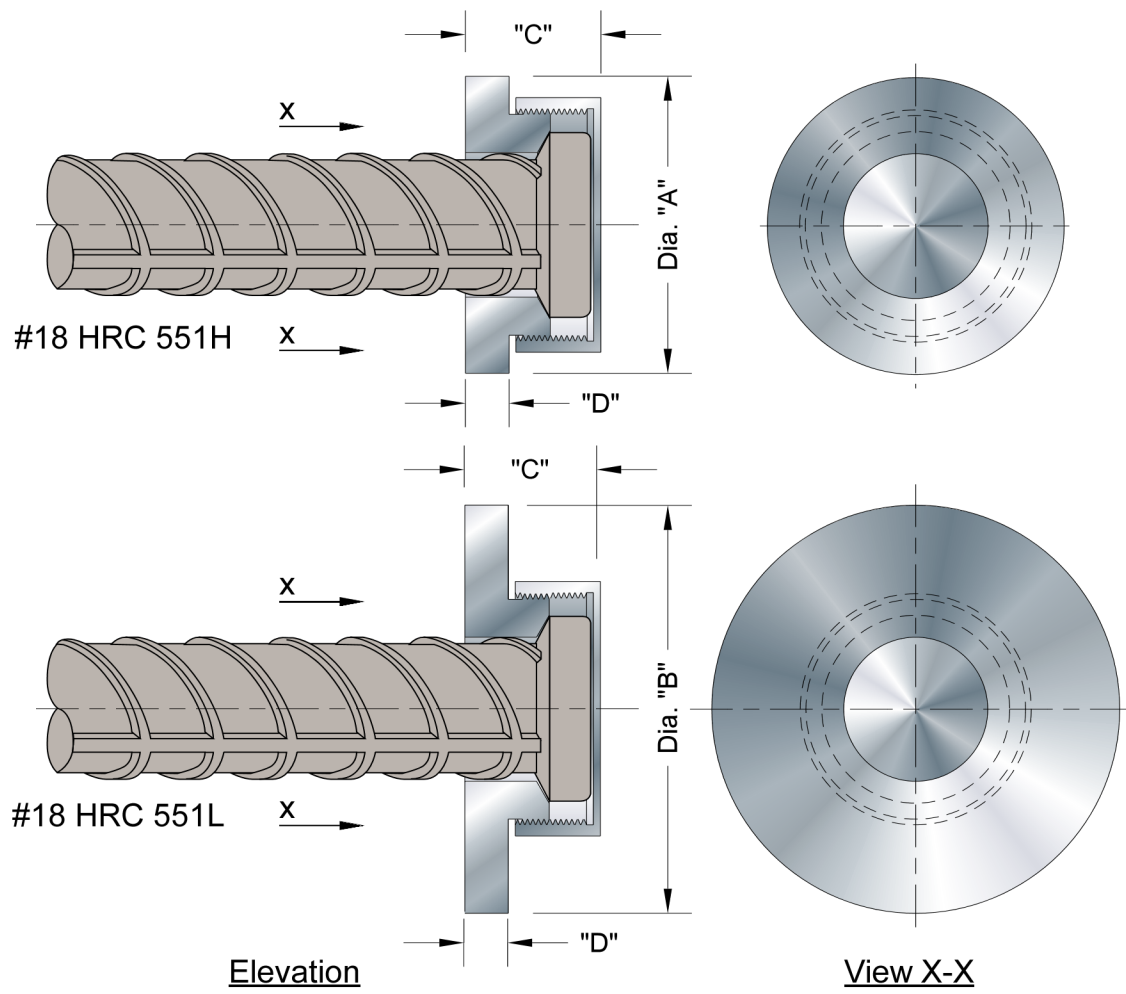
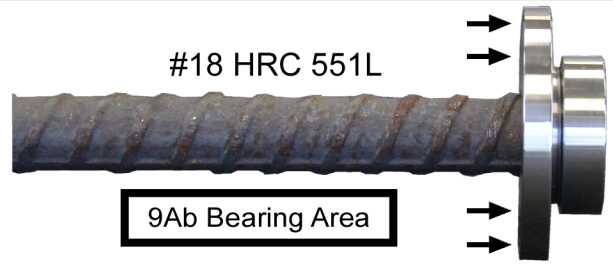
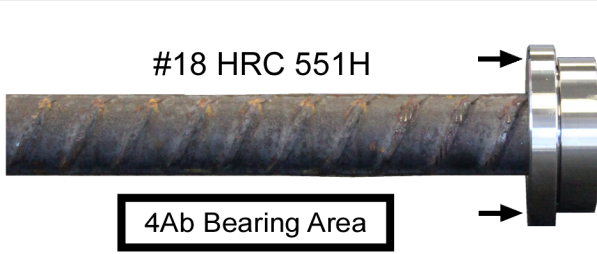


#18 HRC 551 Series Anchor Heads



#18 Dimensions	inch
A. HRC 551H (4Ab) O.D.	5.25
B. HRC 551L (9Ab) O.D.	7.25
C. Assembled Thickness (typ)	2.17*
D. Thickness (min)	0.79

* Tolerance +/- 0.16" (4mm)

HRC 551 Series Anchor Heads develop the minimum tensile strength of the rebar for A706/A615 Grades 60 and 80.

Hand-tighten to a snug fit. Lubricate threads and use pipe wrench if necessary.
 All data subject to change without notice.

Rev. 25-0724



HEADED REINFORCEMENT CORP.
 11200 Condor Avenue • Fountain Valley, CA. 92708, USA
 Tel: 714-557-1455 • FAX: 714-557-4460 • www.HRC-USA.com